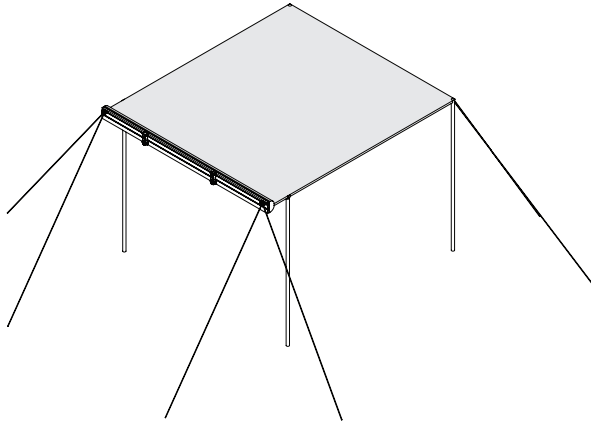
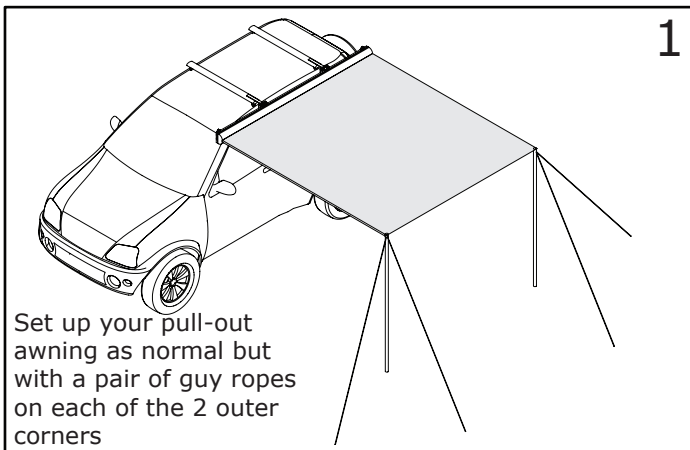


# RACKS BRAX.™

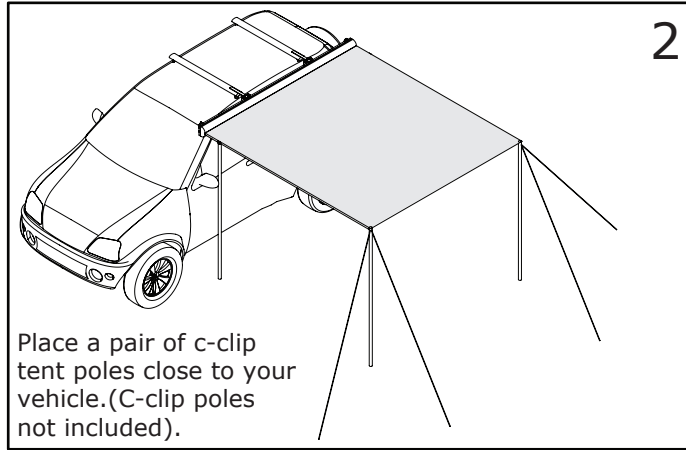


## Pull-out Awning Free Standing Instructions

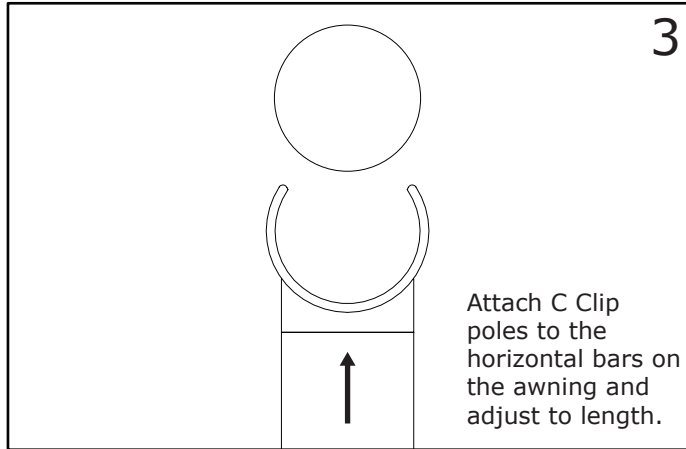
*Using RacksBrax HD Hitch*



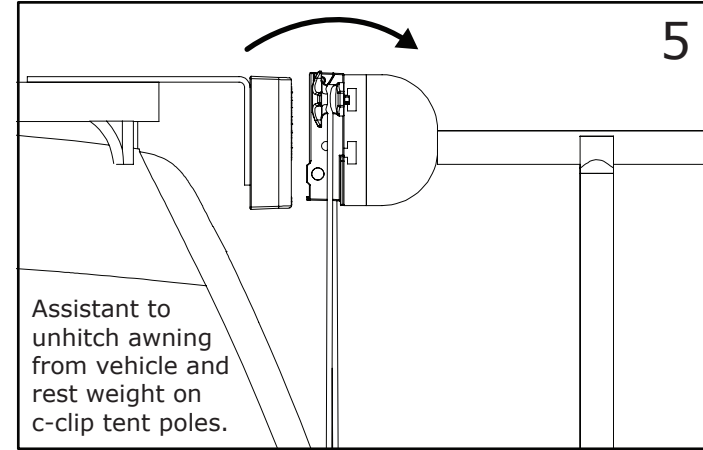
Set up your pull-out awning as normal but with a pair of guy ropes on each of the 2 outer corners



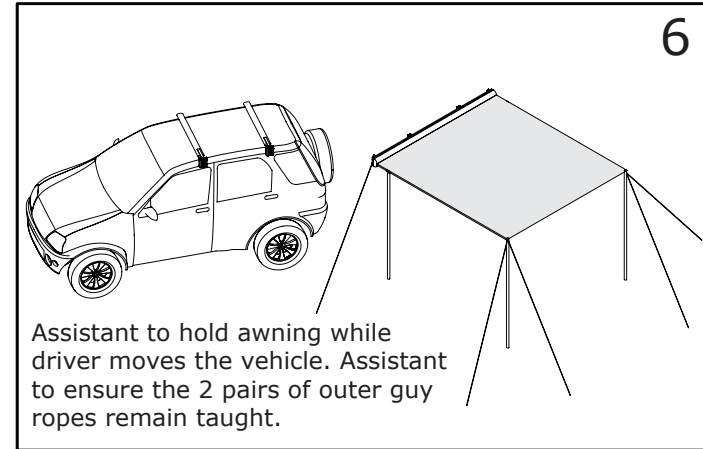
Place a pair of c-clip tent poles close to your vehicle. (C-clip poles not included).



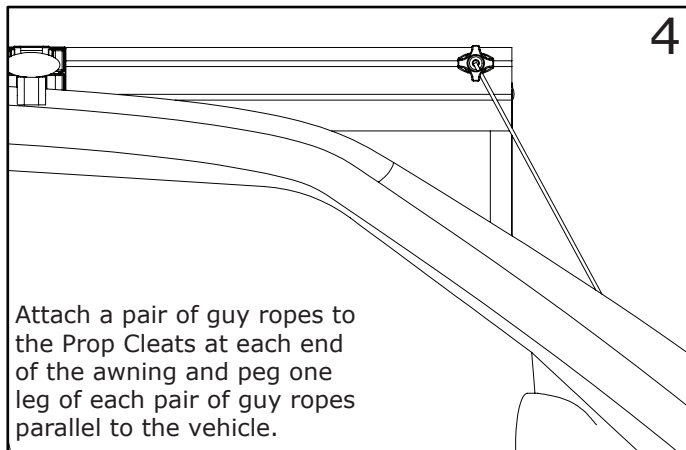
Attach C Clip poles to the horizontal bars on the awning and adjust to length.



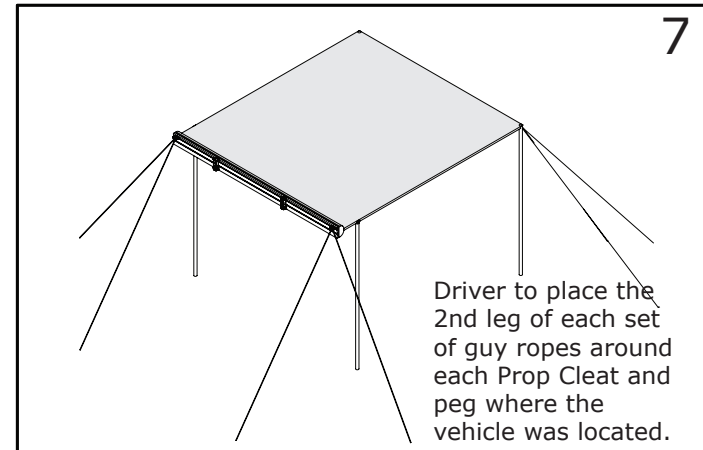
Assistant to unhitch awning from vehicle and rest weight on c-clip tent poles.



Assistant to hold awning while driver moves the vehicle. Assistant to ensure the 2 pairs of outer guy ropes remain taught.



Attach a pair of guy ropes to the Prop Cleats at each end of the awning and peg one leg of each pair of guy ropes parallel to the vehicle.



Driver to place the 2nd leg of each set of guy ropes around each Prop Cleat and peg where the vehicle was located.